

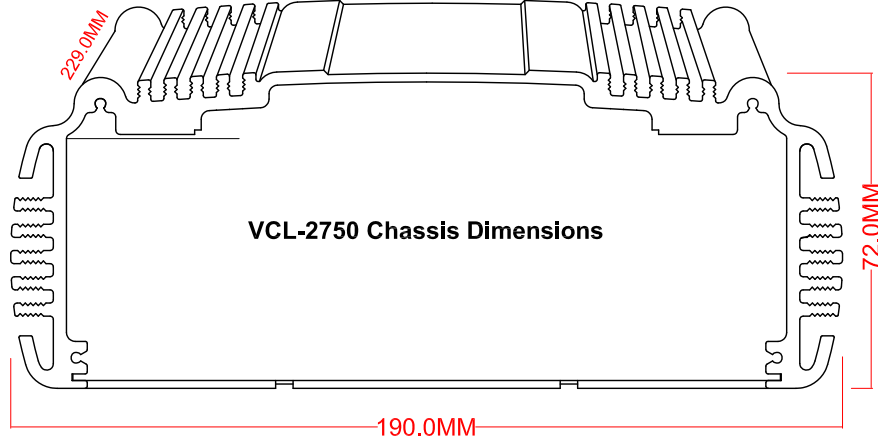
1
2
3
4
5
6
7
8
9
10
11
12
13
14
15

A
B
C
D
E
F
G
H
I
J
K

APPR.
CHECK
DATE
REVISION
NAME
DATE
REVISION

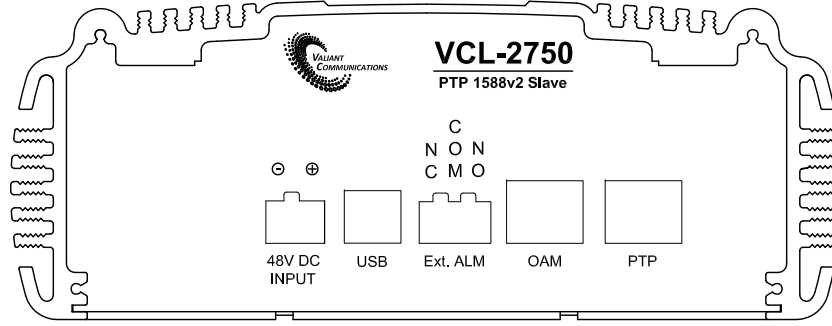
The Drawing and any information or descriptive matter set out hereon are the confidential property of Valiant Communications and must not be disclosed, loaned, copied, used for manufacturing, tending or any other purpose without their written permission

Mechanical Drawing of VCL-2750 PTP 1588v2 Slave

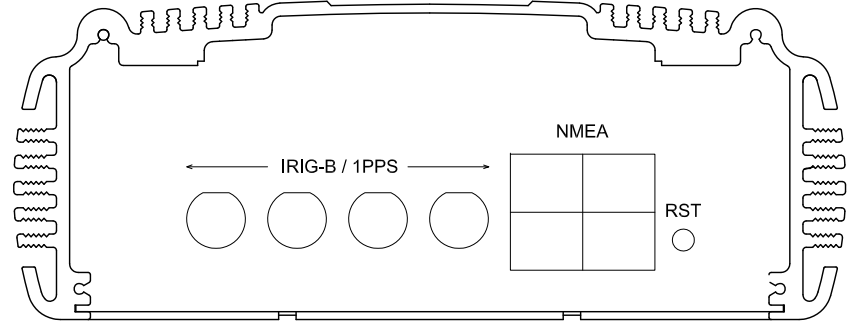


VCL-2750	
Mechanical Dimensions	
Width	190.0 MM
Height	72.0 MM
Depth	229.0 MM
Weight	1.5Kg

Front View



Rear View



Title: Mechanical Drawing of VCL-2750 PTP 1588v2 Slave



Drawing No:
EMD-2750/PTP/002

Date	Rev	Sheet	01
Nov 08, 2021	02	Next Sheet	02

1 2 3 4 5 6 7 8 9 10 11 12 13 14 15

A APPR.

B CHECK

C DATE

D REVISION

E

F

G

H CHECK

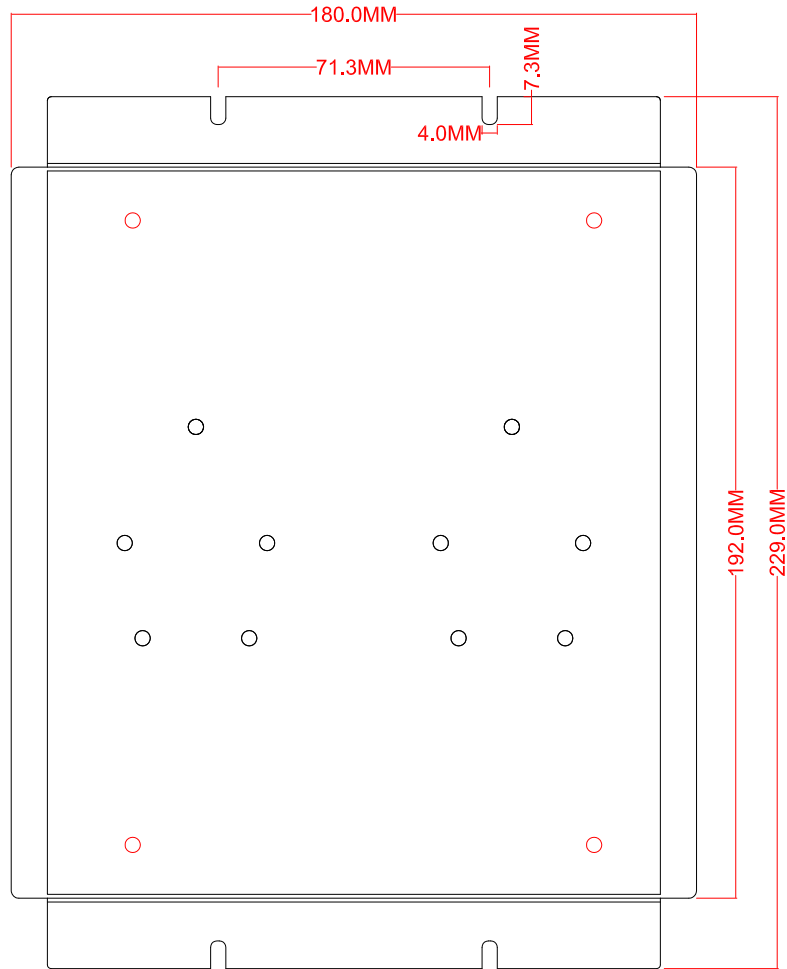
I CHECK

J NAME

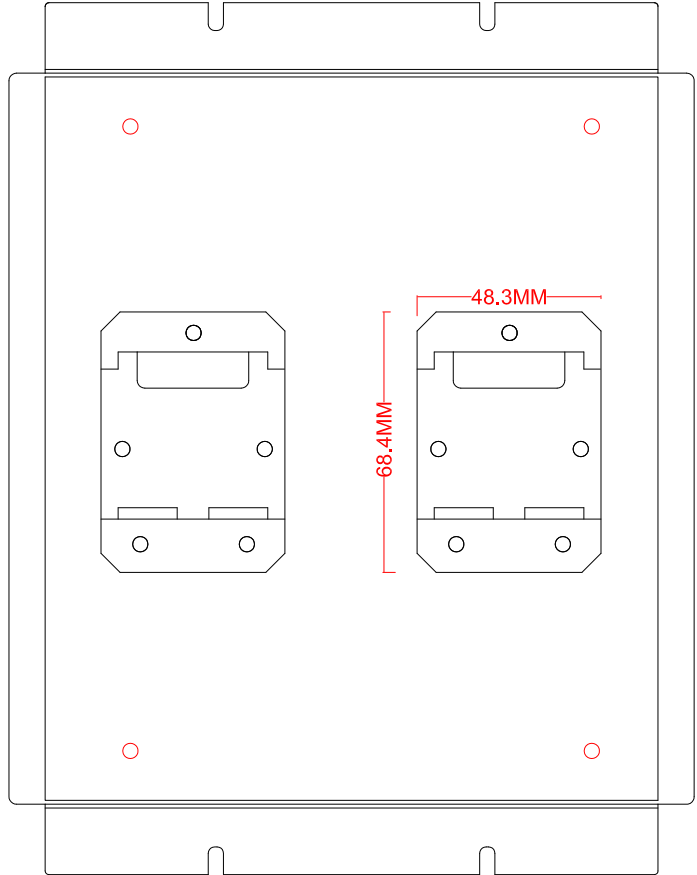
K DATE

REVISION

Mechanical Drawing of VCL-2750 PTP 1588v2 Slave



Bottom View



Bottom View with DIN Rail

Title: Mechanical Drawing of VCL-2750 PTP 1588v2 Slave



Valiant
Communications

Drawing No:
EMD-2750/PTP/002

Date	Rev	Sheet	02
Nov 08, 2021	02	Next Sheet	END