

Ethernet Failover



Overview:

1+1 Automatic Ethernet Protection Ethernet Failover AB Fallback Switch

VCL-SafeComm-E is a family of Ethernet Failover Protection Switches that provide 1+1 Automatic Ethernet Failover / AB Fallback Protection between an "active" and "standby" equipment; or between "main" and "standby" networks which are connected to the network through an Ethernet interface.

VCL-SafeComm-E is available in 3 versions:

1. VCL-SafeComm-E-D – 10/100BaseT Fast Ethernet Failover (Compact DIN-Rail) unit which supports a maximum of 100MBits/sec. data throughput on its primary and standby interfaces. The unit is powered from a 12VDC power source with the option of an external AC-DC adapter.
2. VCL-SafeComm-E-FE – 10/100BaseT Fast Ethernet Failover (19 Inch Rack Mount) unit which supports a maximum of 100MBits/sec. data throughput on its primary and standby interfaces. The VCL-SafeComm-E-FE – 10/100BaseT Fast Ethernet Failover (19 Inch Rack Mount) unit features 1+1 redundant power supplies.
3. VCL-SafeComm-E-GE - 100/1000BaseT Gigabit Ethernet Failover (19 Inch Rack Mount) unit which supports a maximum of 1000MBits/sec. data throughput on its primary and standby interfaces. The VCL-SafeComm-E-GE – 100/1000BaseT Fast Ethernet Failover (19 Inch Rack Mount) unit features 1+1 redundant power supplies.

Salient Features:

1. Fail-Safe. The equipment never becomes a point of failure. It automatically reverts to and reconnects the "primary network" / even in a power down condition.
2. The Ethernet Failover equipment monitors end-to-end link connectivity.
3. Number of interfaces available in Fast Ethernet version: Three
 - a. 1 x 10/100 Ethernet Interface: Network A (Primary)
 - b. 1 x 10/100 Ethernet Interface: Network B (Standby)
 - c. 1 x 10/100 Ethernet Interface User (Protected)
4. Number of interfaces available in Gigabit Ethernet version: Three
 - a. 1 x 100/1000 Gigabit Ethernet Interface: Network A (Primary)
 - b. 1 x 100/1000 Gigabit Ethernet Interface: Network B (Standby)
 - c. 1 x 100/1000 Gigabit Ethernet Interface User (Protected)
5. 1+1 AC or DC power supply available in 19 Inch Rack Mount version.

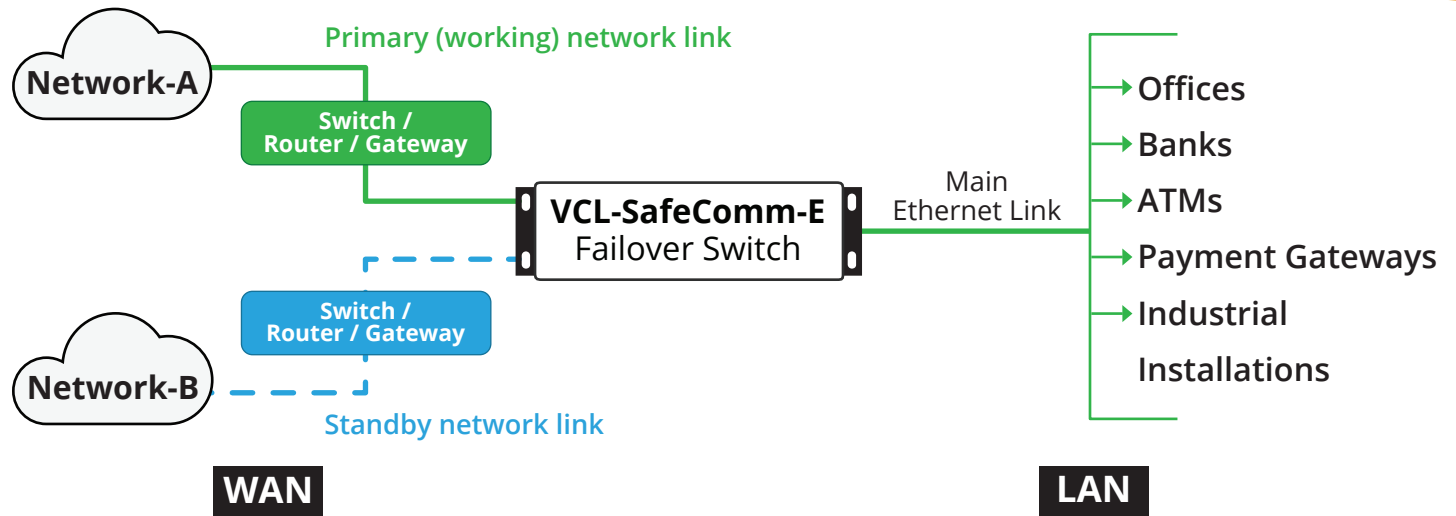
Use Case # 1:

The VCL-SafeComm-E, Ethernet Failover equipment provides 1+1 Automatic Ethernet Failover Switching / Fallback Protection between two, Main and Standby Switches, Servers, RTUs or any other similar terminals to provide equipment redundancy in applications which require 99.99% terminal equipment up-time. The Ethernet 1+1 fail-over protection automatically switches to the "standby" terminal equipment in the event of failure of the "primary" terminal equipment to ensure that the 99.99% terminal equipment up-time requirements are always being met.

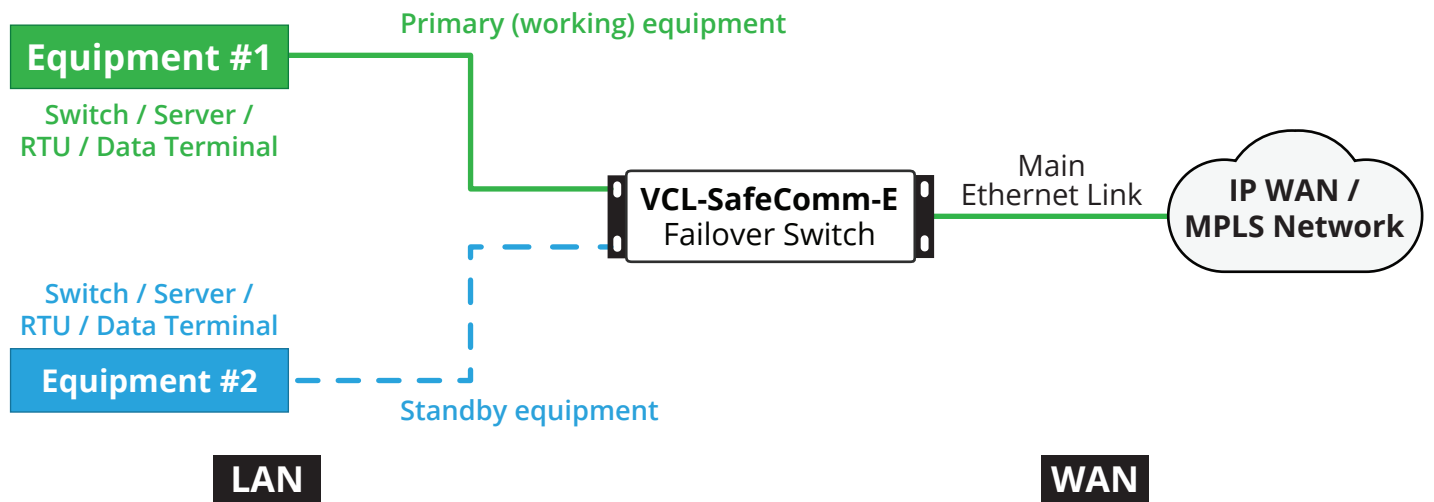
Use Case # 2:

The VCL-SafeComm-E, Ethernet Failover equipment provides 1+1 Automatic Ethernet Failover / AB Fallback Switch provides protection between an "active" and "standby" IP / Ethernet / MPLS Networks (including "active" and "standby" Gateways and Routers) to provide 1+1 automatic ethernet fail-over protection between two distinctly separate networks through an ethernet interface.

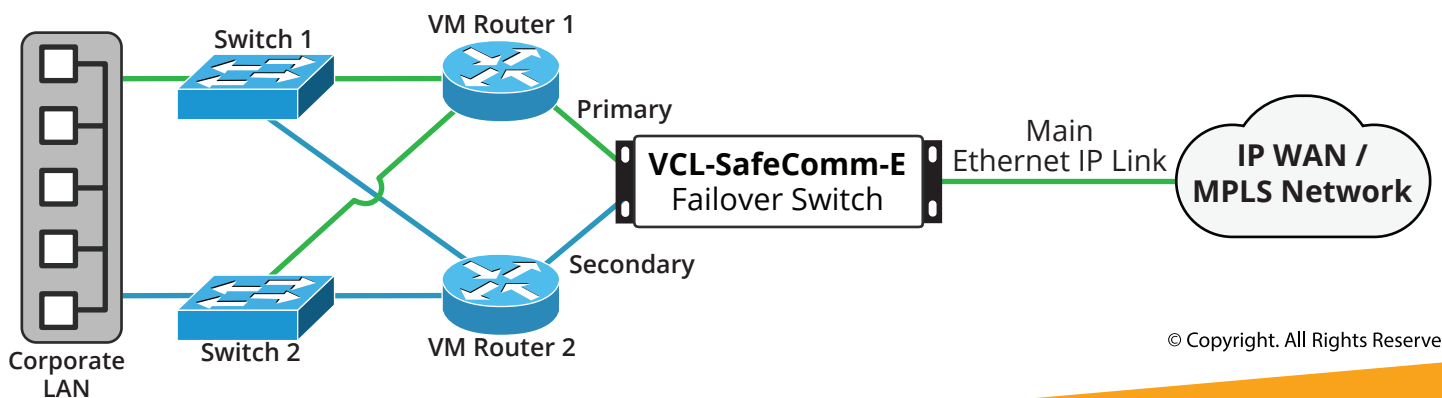
Application 1



Application 2



Application 3



© Copyright. All Rights Reserved.

